

Specifications

Material

Insulator: High Temp. Plastic UL 94V-0, Black
 Contact: Copper Alloy
 Shell(including pegs): Stainless Steel

Plating

Contact: 30µ" Gold
 Shell: 50µ"-80µ" Nickel over all

Electrical

Current Rating: Signal (Pins 2,3,4): 1.0A
 Power (Pins 1,5): 1.8A
 Voltage Rating: 30V AC
 Contact Resistance: 30mΩ max.
 Dielectric Withstanding Voltage: 100V AC
 Insulation Resistance: 1000MΩ min. 100V DC

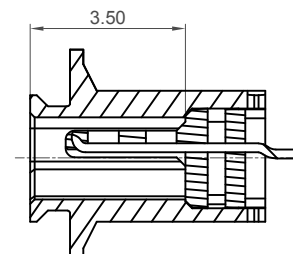
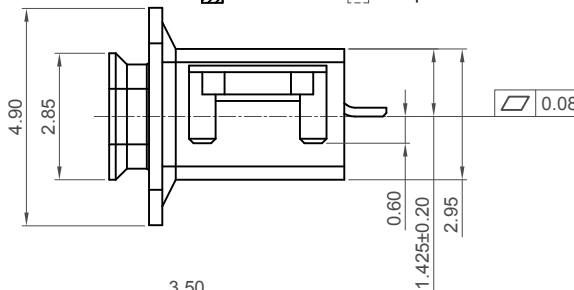
Mechanical & Environmental

Operating Temperature: -30°C to +85°C
 Mating Force: 35N max.
 Unmated Force: 8N to 25N
 Durability: 10,000 cycles
 Ingress Protection Rating: IP67

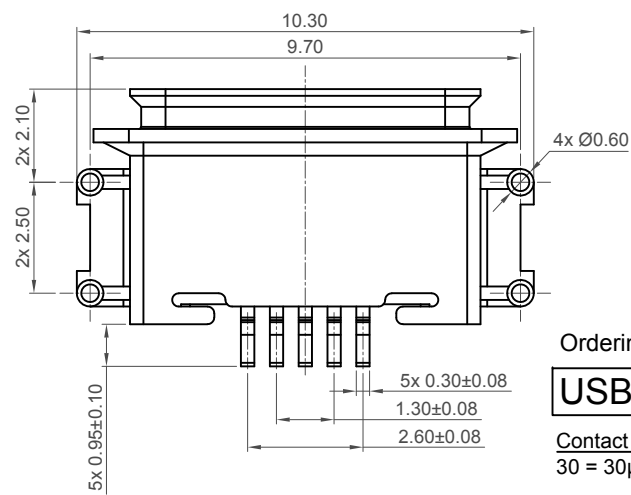
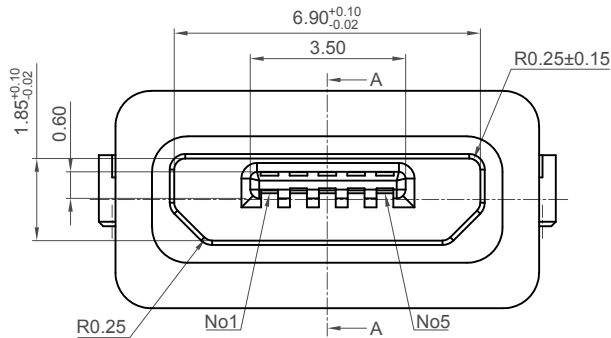
Recommended PCB Layout

As viewed from component side Tolerance: ±0.03mm
 Recommended PCB Thickness: 0.60mm

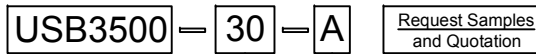
▨ Solder Area □ Component Outline



Section A-A



Ordering Grid



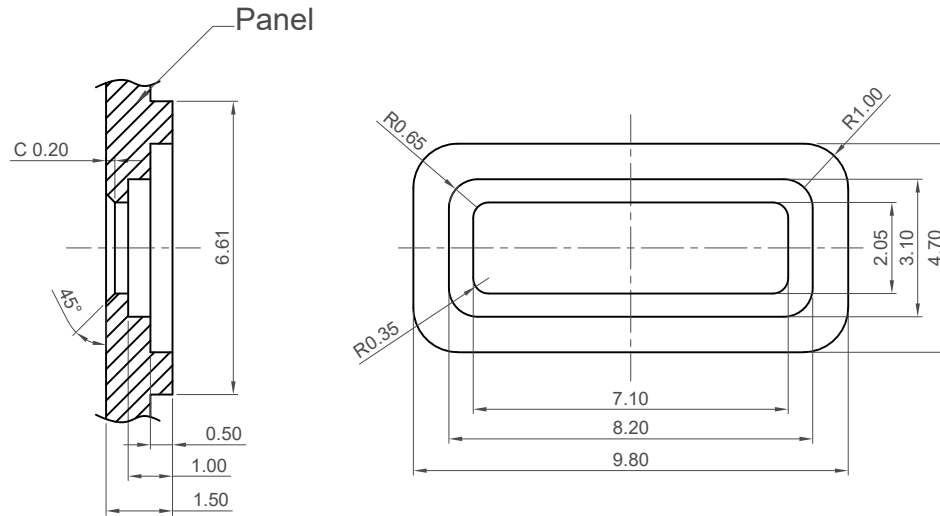
Contact Plating
 30 = 30µ" Gold

Packing Options
 A = Tape & Reel
 (1,000 per reel)

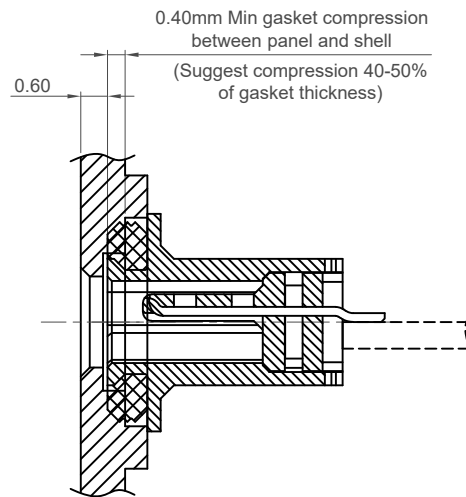
Part Number		Product Description	
USB3500		Micro USB Type B Receptacle, Mid-Mount, IP67	
Drawing Date		16th January 2019	
By	CC	Tolerances (Except as Noted)	Units:
Detail	Drawing Release	Length	Metric (mm)
Revision	A2	X. ± 0.50	
Date	20/12/19	X.X ± 0.30	
		X.XX ± 0.20	
		X.XXX ± 0.10	
		Angle	
		± 1°	
			This drawing is confidential and copyright of Global Connector Technology, Ltd (GCT). This drawing must not be copied or disclosed without written consent. E & OE



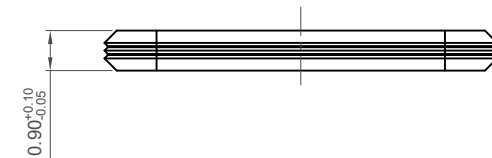
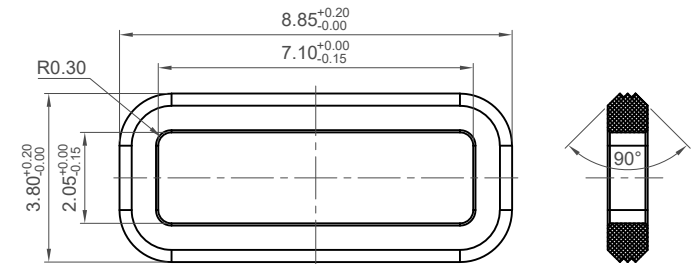
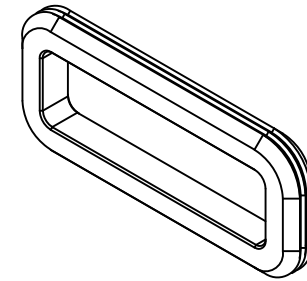
Not to Scale	Drawn By CC	Sheet No. 1/4
--------------	-------------	---------------



Recommended Panel Spec
Tolerance: $\pm 0.05\text{mm}$



(Suggest compression 40-50% of gasket thickness)



Recommended Waterproof Gasket
Gasket Part No.: USBTJ-02
(Gasket must be ordered separately)
(See separate datasheet for specification)

Part Number		Product Description	
USB3500		Micro USB Type B Receptacle, Mid-Mount, IP67	
Drawing Date		16th January 2019	
By	CC	Tolerances (Except as Noted)	Units:
Detail	Drawing Release	Length X. ± 0.50 X.X ± 0.30 X.XX ± 0.20 X.XXX ± 0.10	Metric (mm)
Revision	A2	Angle ± 1°	3rd Angle Projection
Date	20/12/19		

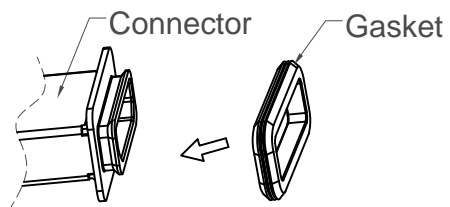


This drawing is confidential and copyright of Global Connector Technology, Ltd (GCT). This drawing must not be copied or disclosed without written consent. E & OE

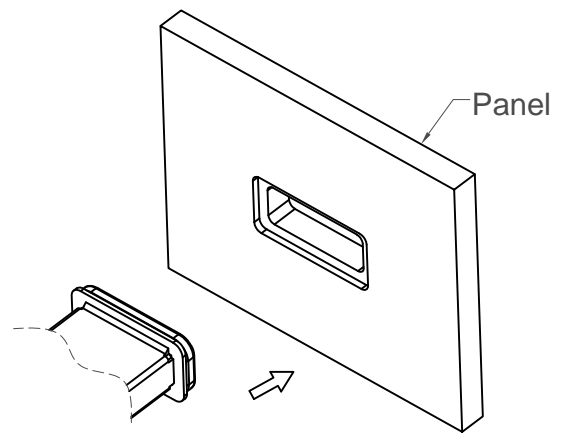


Not to Scale
Drawn By CC
Sheet No. 2/4

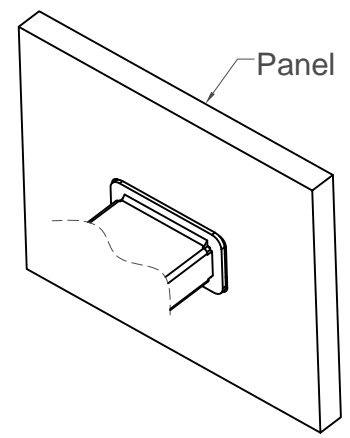
H
G
F
E
D
C
B
A



Step 1



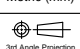



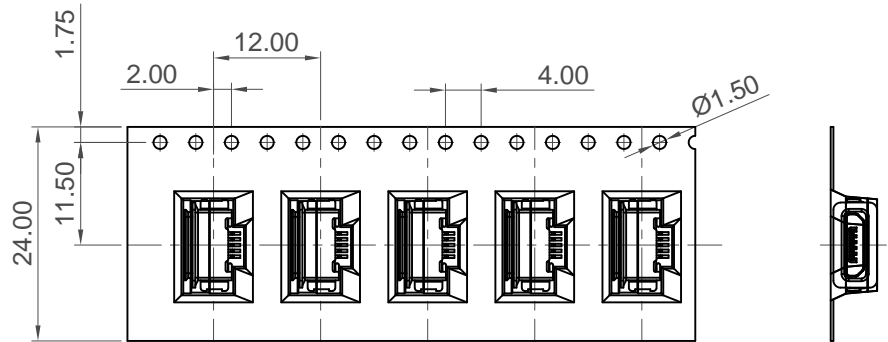
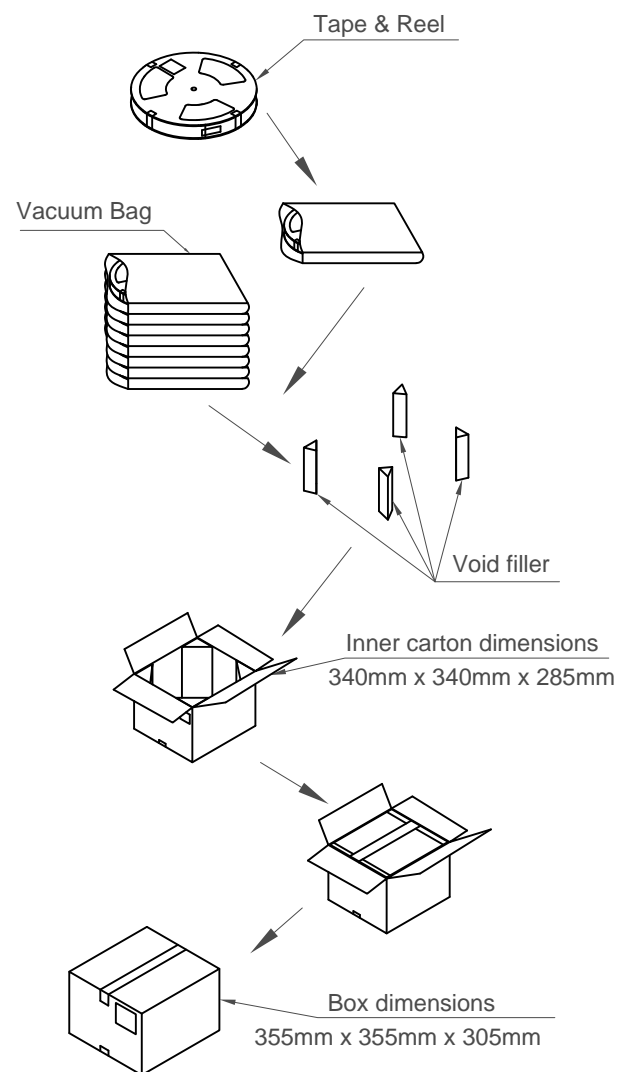
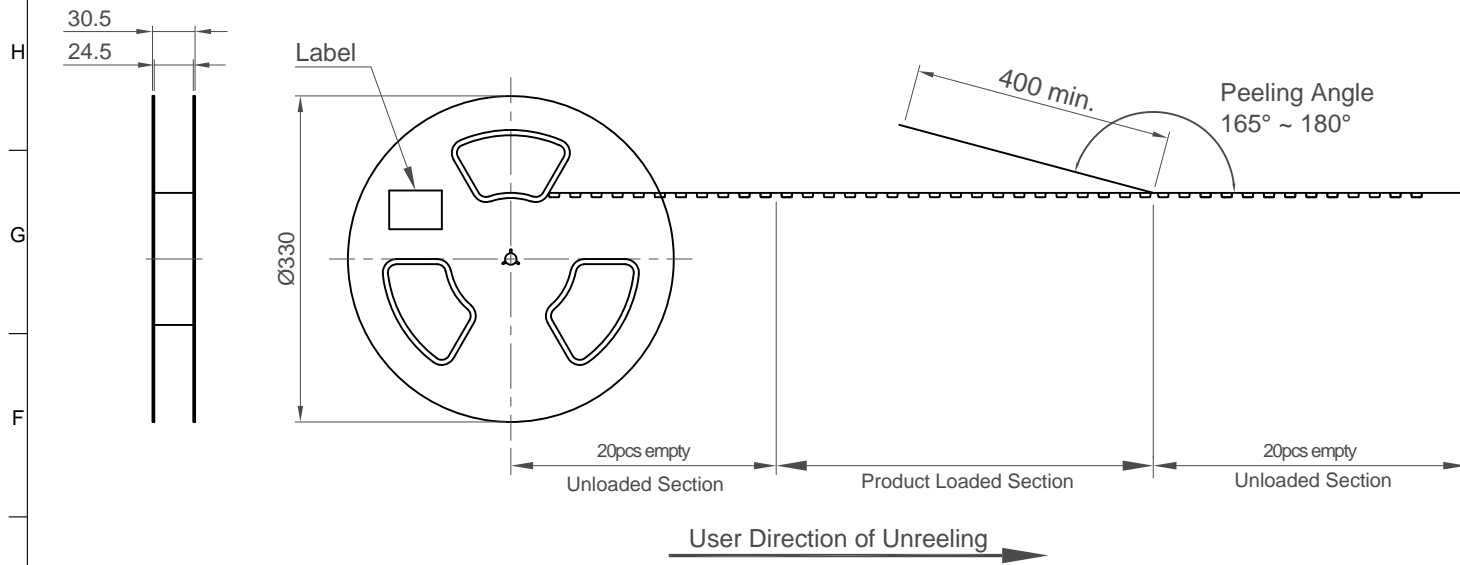
Step 2



Step 3

Assembly instruction for Gasket set after Reflow
Available for Micro USB Waterproof Series

Part Number		Product Description				This drawing is confidential and copyright of Global Connector Technology, Ltd (GCT). This drawing must not be copied or disclosed without written consent. E & OE
USB3500		Micro USB Type B Receptacle, Mid-Mount, IP67				
Drawing Date		16th January 2019				
By	CC	Tolerances (Except as Noted)		Units:		Not to Scale
Detail	Drawing Release	Length	Angle	Metric (mm)		
Revision	A2					
Date	20/12/19					
				 www.gct.co		Drawn By CC
						Sheet No. 3/4



Pcs / Reel	Reels / Carton	Total Quantity
1000	9	9000

Notes:
Peeling off force of top tape: 0.1-1.3N (Peeling direction as shown)

Materials:
Carrier Tape: Polystyrene (PS)
Top Tape: PE
Reel Tape: Polystyrene (PS)
Bag: PE

Part Number USB3500		Product Description Micro USB Type B Receptacle, Mid-Mount, IP67	
Drawing Date 16th January 2019			
By CC	Detail Drawing Release	Tolerances (Except as Noted) Length	Units: Metric (mm)
Revision A2	Date 20/12/19	Angle	3rd Angle Projection



This drawing is confidential and copyright of Global Connector Technology, Ltd (GCT). This drawing must not be copied or disclosed without written consent. E & OE



Not to Scale	Drawn By CC	Sheet No. 4/4
--------------	----------------	------------------

Mouser Electronics

Authorized Distributor

Click to View Pricing, Inventory, Delivery & Lifecycle Information:

[Global Connector Technology \(GCT\):](#)

[USB3500-30-A](#)